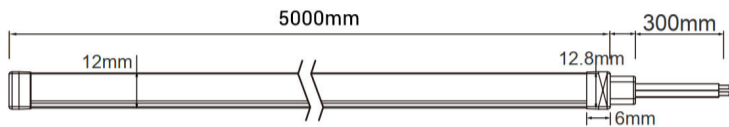


SIDE VIEW NEON FLEX / 06×12MM

FEATEURES:

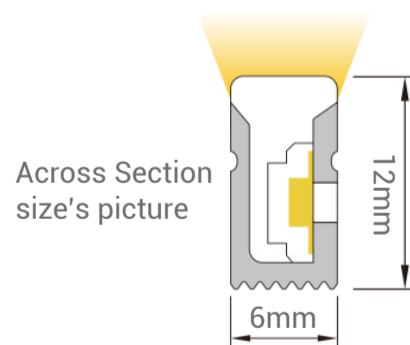
- Low power consumption and high light efficiency
- Vivid and pure light without light spots
- DC 24V for higher safety and durability
- anti-yellowing and anti-UV silicone coating
- IP67 waterproof for outdoor use
- Cuttable to satisfy various requirements on strip length
- Flexible enough for different lighting projects (bend diameter:>100mm)
- 50,000+ hour long lifespan



Item Code	Input Voltage	Watt/m	CCT/K	CRI	Lm/m	Lm/ft	Lm/w	IP Rate	Cutting Length (Min.)	Max. Run Length
HL6N-24V-2835-120L-2100K	24V	10	2100K ⁺²⁰⁰ ₋₁₀₀	>90	246	75	25	IP67	50mm	5m
HL6N-24V-2835-120L-2400K	24V	10	2400K ⁺²⁰⁰ ₋₁₀₀	>90	312	95	31	IP67	50mm	5m
HL6N-24V-2835-120L-2700K	24V	10	2700K ⁺²⁰⁰ ₋₁₀₀	>90	353	108	35	IP67	50mm	5m
HL6N-24V-2835-120L-3000K	24V	10	3000K ⁺³⁰⁰ ₋₂₀₀	>90	299	91	30	IP67	50mm	5m
HL6N-24V-2835-120L-4000K	24V	10	4000K ⁺³⁰⁰ ₋₂₀₀	>90	360	110	36	IP67	50mm	5m
HL6N-24V-2835-120L-5000K	24V	10	5000K ⁺⁴⁰⁰ ₋₃₀₀	>90	360	110	36	IP67	50mm	5m
HL6N-24V-2835-120L-5500K	24V	10	5500K ⁺⁴⁰⁰ ₋₃₀₀	>90	359	109	36	IP67	50mm	5m

OPTICAL PARAMETER

LED Type: SMD2835
 Color Rendering Index: >90
 CCT Range: 2100K-55000K
 Beam Angle: 120°
 Light Efficiency: 25~36Lm/w
 Lumen Output/meter: 246~360Lm/m(75~110Lm/ft)



ELECTRIC PARAMETER

Input Current/m: 0.4(Max)A/m
 Input Voltage: DC24V
 Power/M: 10(Max)W/m
 Static Electricity: 1000V (ESD)
 Size of Section: 50mm
 LEDs/Meter: 120LEDs/m
 LEDs of Section: 6 LEDs

